

Agenda Item No. B-5

DATE SUBMITTED 1/31/2024

SUBMITTED BY PARKS/RECREATION

DATE ACTION REQUIRED 2/7/2024

COUNCIL ACTION ()
 PUBLIC HEARING ()
 REQUIRED
 RESOLUTION ()
 ORDINANCE 1ST READING ()
 ORDINANCE 2ND READING ()
 CITY CLERK'S INITIALS ()






**IMPERIAL CITY COUNCIL
 AGENDA ITEM**

SUBJECT: DISCUSSION/ACTION: AMENDED SUNSET PARK IMPROVEMENTS	
<ol style="list-style-type: none"> 1. APPROVE AMENDED SUNSET PARK IMPROVEMENTS 2. AUTHORIZE STAFF TO SEEK BIDS FOR THE INSTALLATION OF PLAYGROUND SHADE 	
DEPARTMENT INVOLVED: PARKS AND RECREATION	
BACKGROUND/SUMMARY: <p>On December 7, 2022 council chose and approved improvements to Sunset Park that included new red clay field terrain and LED lighting. During the January 3, 2024 council meeting, Council Members voiced concerns on the project so staff has come up with a solution to amend the action from 2022. Parks and Recreation staff recommends keeping the lighting and drainage boxes, but add playground shading in lieu of the red clay field terrain improvement. These changes will stay within the cost limits from the original action.</p> <p>Please see attached site map, lighting and shade specifications.</p>	
FISCAL IMPACT: AMERICAN RESCUE PLAN ACT FUNDS NOT TO EXCEED \$150,000	FINANCE INITIALS <u>UMS</u>
STAFF RECOMMENDATION: It is the department's recommendation for City Council to approve the amended proposal and authorize staff to seek bids	DEPT. INITIALS 
MANAGER'S RECOMMENDATION: <i>approve staff recommendation</i>	CITY MANAGER'S INITIALS <u>ATM</u>
MOTION:	
SECONDED:	APPROVED () REJECTED ()
AYES:	DISAPPROVED () DEFERRED ()
NAYES:	
ABSENT:	REFERRED TO:

Amended Sunset Park Improvements

Proposed Improvements Site Map

Legend

-  Feature 1
-  New Underground Conduit and Wiring
-  New Underground Conduit and Wiring
-  Sunset Park (Budget allowing)
-  Sunset Ranch



PK0814A

LED Light Pole Kit with Four Adjustable LED Lights, Selectable Wattage 100/150/185 & Color Temperature, 10-25 Foot Pole Height Options



Job: _____
 Job Site: _____ State: _____ Client Name: _____
 Notes: _____ Approvals: _____ Date: _____

Commercial-grade LED Light Pole Assembly Includes:

Square steel light pole, 4 LED lights complete with adjustable slip fitters, low profile pole bracket, hardware, set of anchor bolts and a base cover.

Orientation Options: 1. Straight Inline.

(see page 2) 2. 90° Orientation.

Light Pole:

Pole Shaft: 4 inch square 11 gauge (10 ft., 15 ft. and 20 ft.) and 7 gauge (25 ft.)

commercial grade steel with minimum yield strength of 55,000 psi

Pole Height: Optional heights are 10 ft., 15 ft., 20ft. and 25 ft.

Custom heights are also available

Anchor Bolts: A set of 4 galvanized steel anchor bolts is provided.

Each anchor bolt includes 2 nuts and 2 washers.

Bolt Circle: 8-1/2" (Bolt Circle range: 8"-11")

Handhole: Handhole is located 18" above the base plate.

A 3" X 5" steel handhole cover is included.

Color: Dark Bronze

Base Cover: ABS Plastic base cover with rivets.

LED Fixture:

Material: Aluminum construction with integrated fins to maximize heat dissipation.

Color: Dark Bronze.

Preset Power: 150 Watts

Voltage: 120-277 Volt standard.

Preset Color Temperature: 5000K

Light Distribution: Type 3 standard.

Type 4 and Type 5 options as special order.

Photocell: Photocell is optional.

Dimming: 0-10V Dimming Capable.

Dimming control not provided (field install).

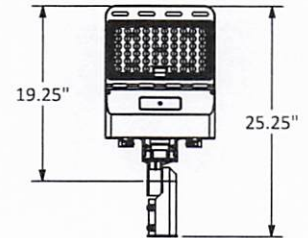
ETL Listing: ETL Listed for Wet Locations.

DLC Listing: DLC Premium.

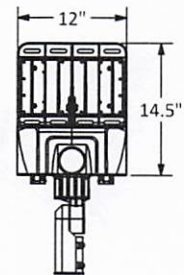
IP Rating: IP65

Warranty: 5 Years.

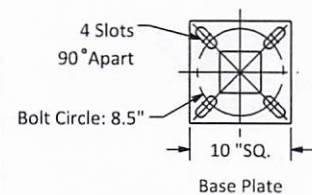
Weight: 11.5 lbs (each fixture)



LED Fixture
Front View



LED Fixture
Back View



Pole Height	Anchor Bolt
10 ft, 15 ft, 20 ft	3/4"x17"x3"
25 ft	3/4"x30"x3"

TOTAL POWER (W)	LOW			MID			HIGH		
	4x100=400			4x150=600			4x185=740		
TOTAL AMPS	120V	4x0.87=3.48		120V	4x1.31=5.24		120V	4x1.62=6.48	
	277V	4x0.38=1.52		277V	4x0.57=2.28		277V	4x0.70=2.80	
COLOR TEMPERATURE (K)	3000	4000	5000	3000	4000	5000	3000	4000	5000
LUMENS	4x14,500=58,000	4x16,000=64,000	4x15,000=60,000	4x21,750=87,000	4x24,000=96,000	4x22,500=90,000	4x26,825=107,300	4x29,600=118,400	4x27,750=111,000
LUMENS/WATT	145	160	150	145	160	150	145	160	150

Disclaimer: All dimensions and specifications are subject to change without any notice. Light Pole Foundation should be designed by an engineer familiar with local soil and wind conditions as well as local code where the light pole will be installed.

PK0814A

LED Light Pole Kit with Four Adjustable LED Lights, Selectable Wattage 100/150/185 & Color Temperature, 10-25 Foot Pole Height Options



Job: _____

Job Site: _____

State: _____

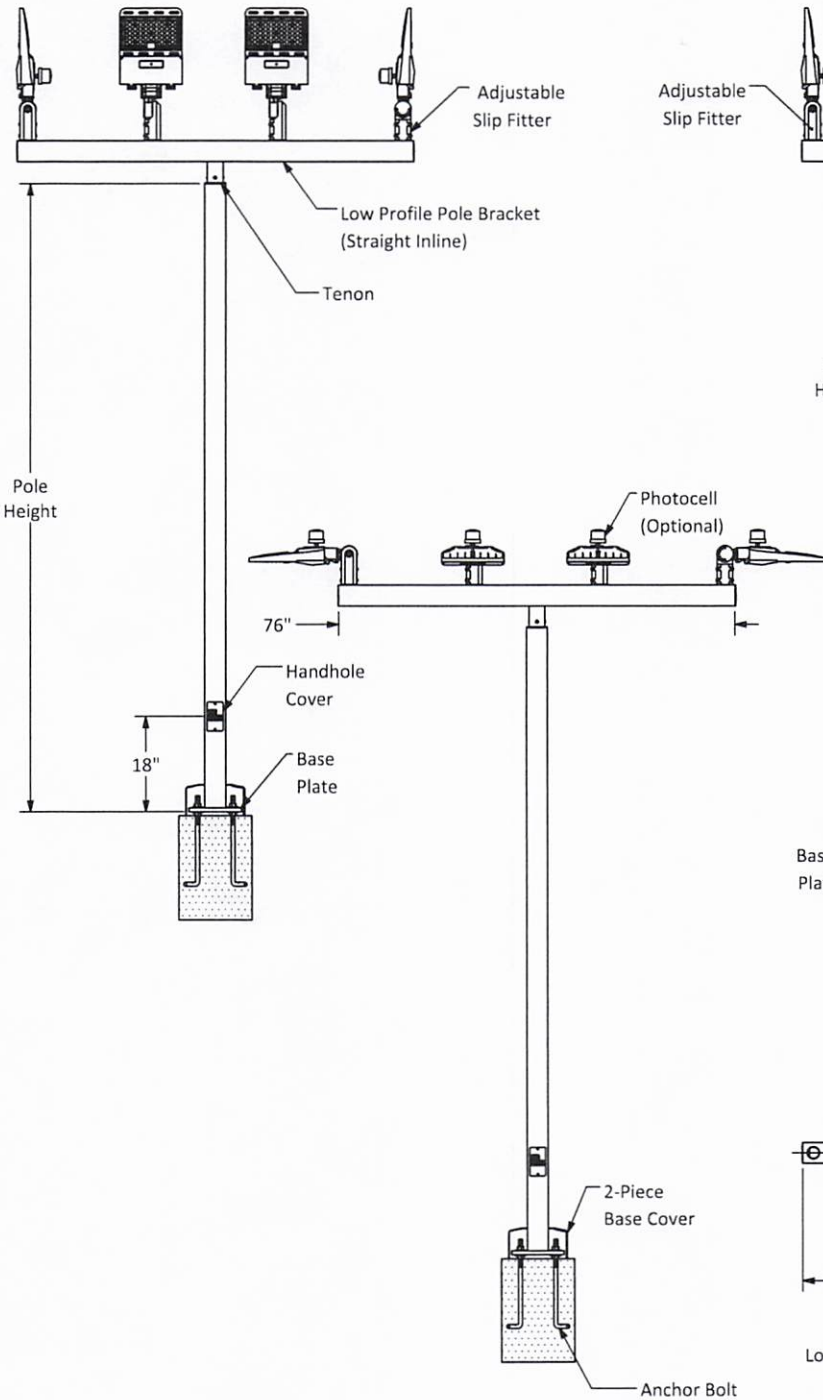
Client Name: _____

Notes: _____

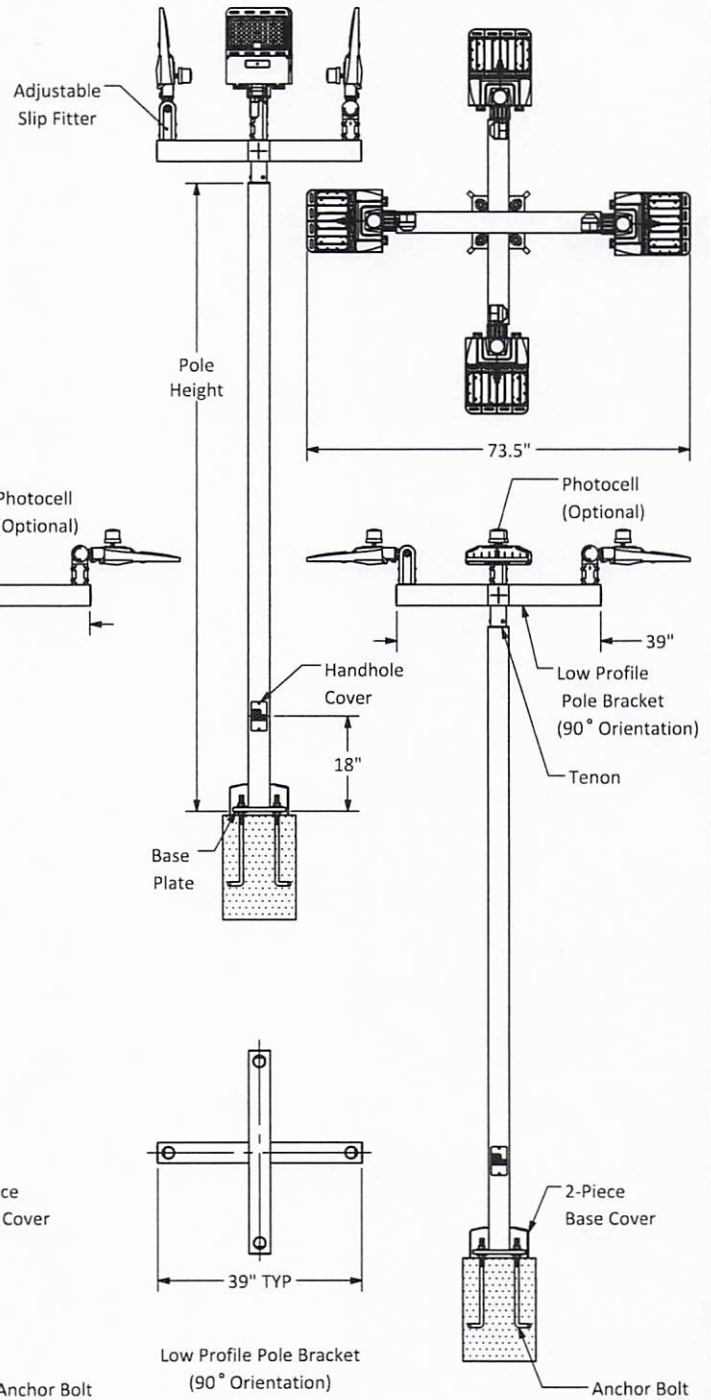
Approvals: _____

Date: _____

1. Straight Inline



2. 90° Orientation

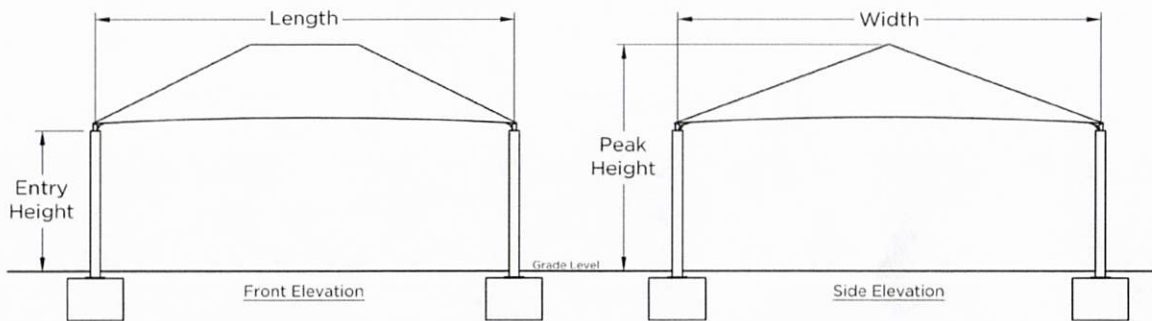
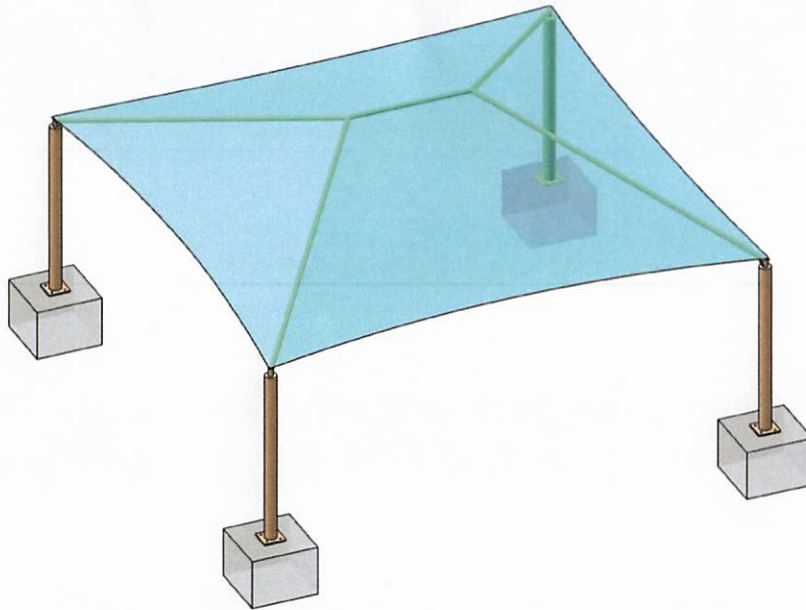


EPA Rating: 1.74 Sq.ft

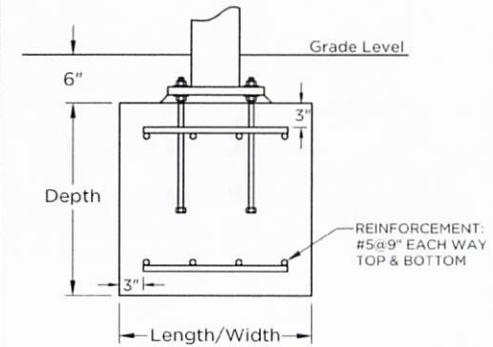
Disclaimer: All dimensions and specifications are subject to change without any notice. Light Pole Foundation should be designed by an engineer familiar with local soil and wind conditions as well as local code where the light pole will be installed.

Hip Shade

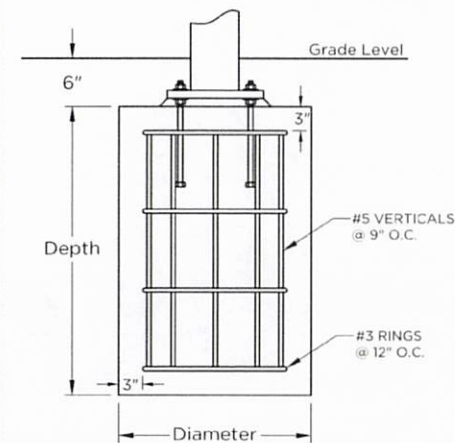
Length	45'	Width	45'	Entry Height	12'
Peak Height	20.33'	Elbow	Standard	Column Mount	Base Plate
Column Size	12"x12"x1/4"	Rafter Size	8"x6"x1/4"	Ridge Size	8"x6"x1/4"
Column Length	12.5'	Rafter Length	29.33'	Ridge Length	11.25'
Dome Qty.	1	Column Qty.	4		



Square Footing		
Column	Length & Width	Depth
Single Cap	6.28	3
Double Cap	N/A	3



Auger Footing		
Diameter	Single Cap Depth	Double Cap Depth
1'-6"		
2'-0"	Out of range	N/A
2'-6"	Out of range	N/A
3'-0"	13.38	N/A



Superior Shade

QUOTE

SHADE SIZE

45 X 45

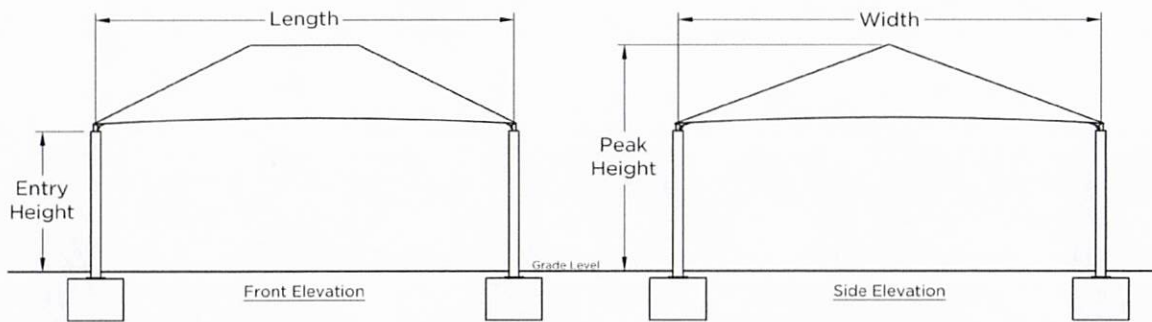
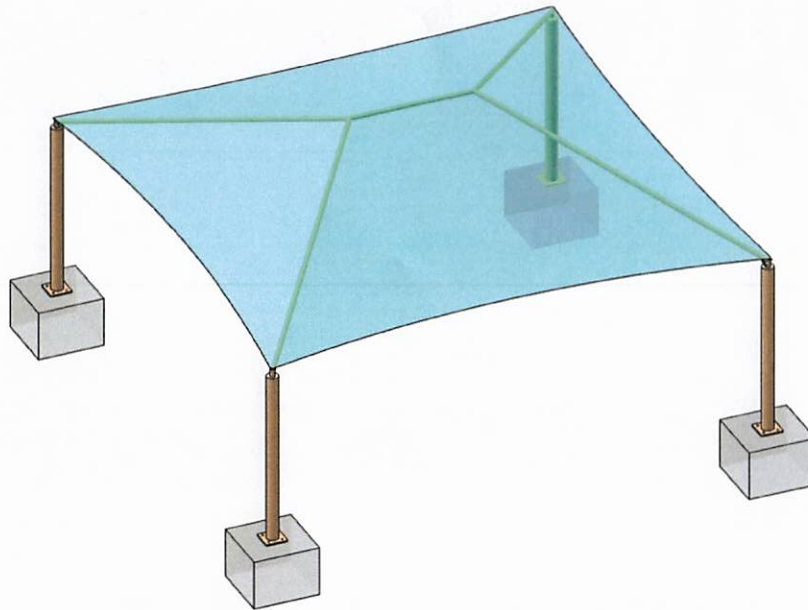
SHADE STYLE

Hip Shade

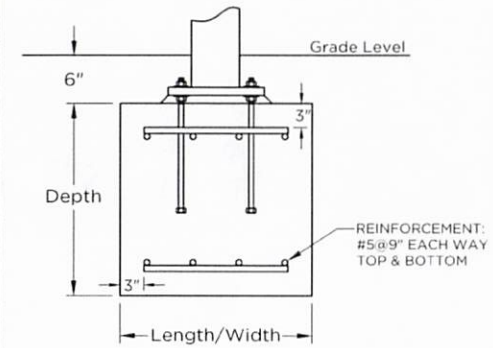
These drawings are for reference only and should not be used as construction details. They show the general character and rough dimensions of the structural features. Exact spans, fasteners, materials, and foundations can be determined by a licensed professional engineer upon request. Estimated footing size above is based on 1,500 PSF soil bearing pressure.

Hip Shade

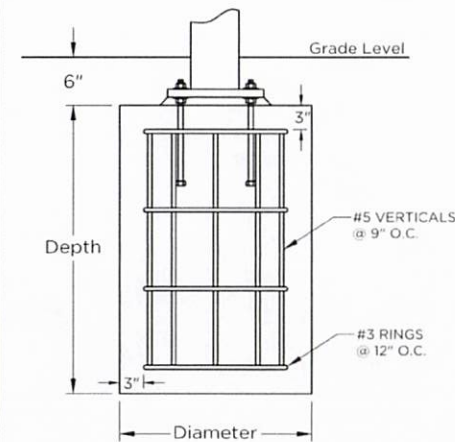
Length	35'	Width	35'	Entry Height	12'
Peak Height	18.48'	Elbow	Standard	Column Mount	Base Plate
Column Size	Ø8.6" Sch-40	Rafter Size	Ø5.0" 7-Ga	Ridge Size	Ø5.0" 7-Ga
Column Length	12.5'	Rafter Length	22.81'	Ridge Length	8.75'
Dome Qty.	1	Column Qty.	4		



Square Footing		
Column	Length & Width	Depth
Single Cap	4 88	3
Double Cap	N/A	3



Auger Footing		
Diameter	Single Cap Depth	Double Cap Depth
1'-6"		
2'-0"	Out of range	N/A
2'-6"	Out of range	N/A
3'-0"	8.1	N/A



SuperiorShade

QUOTE

SHADE SIZE

SHADE STYLE

35 X 35

Hip Shade

These drawings are for reference only and should not be used as construction details. They show the general character and rough dimensions of the structural features. Exact spans, fasteners, materials, and foundations can be determined by a licensed professional engineer upon request. Estimated footing size above is based on 1,500 PSF soil bearing pressure.