



Utility Crane & Equipment, Inc.
 10160 Redwood Ave
 Fontana, CA 92335
 (866) 832-4831

QUOTATION

AERIAL BASKETS - DIGGER DERRICKS - UNDERGROUND LINE & WATER LEAK LOCATORS

Date: 11/4/2020

To: City of Imperial
 Eddie Self
 Imperial CA

Quote Number
201105

Submitted by: Jerry Magee

We submit for your consideration and acceptance the following equipment and prices:

Quantity	Model	Description	Price	Total
1	VST-47-MHI	Versalift VST-47-MHI Telescopic Articulating Aerial Platform Per Quote Letter 201105	\$ 99,446.00	\$ 99,446.00
1	Shipping	Shipping & Handling	\$ 550.00	\$ 550.00
	Delivery Note	Delivery January 2021 Subject To Prior Sale		

Extended Total: \$ 99,996.00

Freight & Delivery: Included
Taxes: As applicable
Terms: Net 15 Days

Remit to: Utility Crane and Equipment
 PO Box 950
 Tolleson, AZ 85353



National Auto Fleet Group

A Division of Chevrolet of Watsonville

490 Auto Center Drive, Watsonville, CA 95076

(855) 289-6572 • (831) 480-8497 Fax

Fleet@NationalAutoFleetGroup.com

11/6/2020

Quote ID# HD – 1400BR

Mr. Eddie Self

City of Imperial
420 S. Imperial Avenue
Imperial, CA 92251

Dear Eddie Self,

National Auto Fleet Group is pleased to quote the following vehicle(s) for your consideration.

One (1) New/Unused (2020 International CV515, International 6.6 Engine, Allison 1750 RDS Transmission with Veralift VST-47-MHI Telescope Articulating Aerial Platform,) and provided by Mr. Jerry Magee with Utility Crane Equipment each for:

	MSRP	Sourcewell Price	Savings	Total Saving
Sourcewell Contract Price	\$ 58,734.00	\$ 53,272.00	9.30%	\$ 5,462.00
Utility Crane Quote		\$ 99,996.00		
Tax (7.75%)		\$ 11,878.27		
Total		\$ 165,146.27		

-per your attached specifications:

This vehicle(s) is available under the **Sourcewell (Formerly known as NJPA) Contract Number 060920-NAF**. Please reference this Contract Number on all Purchase Orders to National Auto Fleet Group. Payment terms are Net 20 days after receipt of vehicle.

Thank you in advance for your consideration. Should you have any questions, please do not hesitate to call.

Sincerely,

Ben Rodriguez

HD Contract Manager

HD@Nationalautofleetgroup.com

Office (855) 289-6572

Fax (831) 480-8497





**Utility Crane and Equipment
10160 Redwood Ave.
Fontana, CA 92335
916-202-5107**

**November 2, 2020
Quote 201105**

**Eddie Self
City of Imperial
Imperial, CA**

Eddie:

Here are the specs for the VST-47-MHI that will give you 52' of working height.

We are pleased to quote the VERSALIFT VST-47-MHI, insulated 47ft. 4 in (14.4 m) telescopic aerial platform lift, 52ft. 4 in (16.0 m) working height with a horizontal reach of 30 ft. 9 in. (9.4) and to include the following items:

- **Standard platform capacity of 400 lbs.**
- **VERSALIFT TruGuard™ dielectric isolating system with right hand single stick control. All control handles are isolated and tested per ANSI 92.2. The high resistive dielectric system is protected from direct environmental and job-related contamination. TruGuard™ technology incorporates the use of full hydraulic controls with durable metal handles and linkages.**
- **Hydraulic platform rotator.**
- **Hydraulic dual arm articulating jib pole and winch package for up to 1,000 lbs. (454 kg.) capacity, including insulated jib pole**
- **360o continuous rotation including slip rings**

- **Six GPM (22.7 lpm) open center hydraulic system with a 3000 psi (210 kg/cm²) operating pressure**
- **Side mounted telescopic upper boom allows low stowing of platform. Fiberglass inner boom and patented ELECTROGARD provide insulation gap of 41 Inches (1.0 m) fully retracted meeting ANSI A92.2 requirements for Category C 46KV and below.**
- **Chassis Insulating system (fiberglass lower boom insert) providing 12 in. (0.305 m) insulation gap and including accommodations to bridge insulation gap for testing per ANSI 92.2**
- **ELECTROGARD and inner boom finished with white urethane paint over a white gel coat.**
- **Non-lube bearings used throughout.**
- **One set of hydraulic tool outlets with pressure limit valve. Valve can be adjusted from 1000 to 2500 psi.**
- **Sub frame mounted main A-frame outriggers with pivot feet, two control valves, and a selector valve.**
- **Auxiliary independent narrow knock down A Frame outrigger with pivot feet**
- **Outrigger boom interlock system for main and auxiliary outriggers**
- **Integral reservoir with a 17-gallon (64.4 l) capacity and dual sight gauges.**
- **Side mounted closed heavy-duty one-step 24 in. X 30 in. X 42 in. (0.61m X 0.76m X 1.07m) fiberglass platform including platform liner and vinyl cover.**
- **Individual full pressure controls at the turret actuate all boom functions and is equipped with a selector valve to override upper controls**
- **12-volt DC backup pump providing power to all boom functions.**
- **Automatic throttle control.**
- **Auto boom latch for mounting on inner boom. The rotary auto boom latch works off the lift hydraulic pressure to open and close.**
- **Standard white urethane paint**
- **Safety harness and lanyard**
- **Two operator manuals and service manuals.**

Cab and chassis to the following specifications:

- **2020 International CV515 4x4 cab and chassis with a CA of 84"**
- **GVWR: 19,500 lbs. payload.**
- **International 6.6 diesel engine**
- **Allison 2700 RDS automatic transmission**
- **Rear view camera system**
- **Engine block heater and back up alarm**
- **40-gallon fuel tank mounted between frame rails and behind rear axle**
- **Power windows and keyless remote entry system.**
- **Air conditioning**
- **225/70R19.5 load range G HDR tires**
- **Radio AM/FM stereo/clock/Bluetooth with 7" touch panel display.**
- **Painted Winter White.**
- **Full specifications are available.**

Brand FX Bodies 132" long x 42" high x 94" wide service body including the following:

- **30-inch aluminum tread plate platform extension**
- **BFX LED lighting package installed in tail shelf.**
- **Cable access step at rear and side access.**
- **Two (2) stainless steel grab handles at side access and two (2) aluminum grab rails at rear tail shelf.**
- **Wheel chock storage and outrigger pad holders.**
- **Push/pull rod lock system**
- o **42" High Street side compartments as follows**
 - **1st Vertical: Two (2) adjustable shelves with dividers and cutout for outrigger**
 - **2nd Vertical: Two (2) adjustable shelves with dividers**
 - **Horizontal: One (1) removable shelf with dividers**
 - **Rear Vertical: Two (2) adjustable shelves with dividers**
 - **132" x 18" x 11" fiberglass hot stick top box with door at rear.**
- o **42" High Curbside compartments as follows**
 - **1st Vertical: Two (2) adjustable shelves with dividers and cutout for outrigger**
 - **2nd Vertical: Grip strut access steps to bed area with removable plastic tail board.**
 - **Horizontal: One (1) adjustable shelf with dividers**

- **Rear Vertical: Five (5) fixed material hooks 1-3-1**

Installation to include the following:

- **Install VERSALIFT VST-47-MHI, mounting hardware, PTO and pump.**
- **Install Brand FX service body and accessories.**
- **Install combo pintle hitch, D rings and 7 prong trailer connector.**
- **Install two (2) amber strobe lights in tail shelf and two (2) strobe lights in front grill.**
- **Install grounding kit, park brake interlock system, back up alarm and mud flaps.**
- **Supply outrigger pads, wheel chocks, fire extinguisher, and 3-piece triangle reflector kit.**
- **Test ride completed unit for one (1) hour.**
- **Test and certify per ANSI A92.2**

Jerry Magee
Utility Crane and Equipment
916-202-5107
jerrym@utilityce.com



CV515 SFA

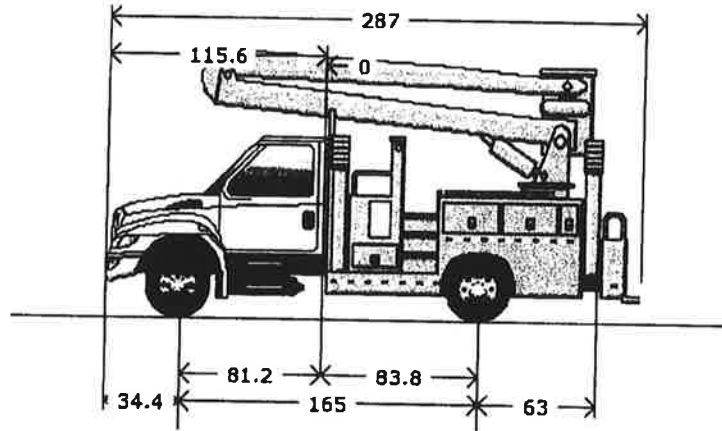
Sales Proposal For:
Time Manufacturing

Presented By:
SOUTHWEST INTL

Prepared For:
 Time Manufacturing
 Michael Oflanery
 PO Box 21415
 Waco, TX 76702-1415
 (254)399 - 2100
 Reference ID: N/A

Presented By:
 SOUTHWEST INTL
 Jason L Vancampen
 617 N. FREEWAY
 FT. WORTH TX 76102 -
 (817)764-8800

Thank you for the opportunity to provide you with the following quotation on a new International truck. I am sure the following detailed specification will meet your operational requirements, and I look forward to serving your business needs.



Model Profile
2020 CV515 SFA (CV515)

AXLE CONFIG: 4X4
APPLICATION: Bucket Lift (Utility)
MISSION: Requested GVWR: 19500. Calc. GVWR: 19500
 Calc. Start / Grade Ability: 43.30% / 3.07% @ 55 MPH
 Calc. Geared Speed: 102.2 MPH
DIMENSION: Wheelbase: 165.00, CA: 83.80, Axle to Frame: 63.00
ENGINE, DIESEL: {International 6.6} EPA 2017, 350HP @ 2700 RPM, 700 lb-ft Torque @ 1600 RPM, 2900 RPM
 Governed Speed, 350 Peak HP (Max)
TRANSMISSION, AUTOMATIC: {Allison 1750 RDS} 5th Generation Controls, Close Ratio, 6-Speed with Overdrive, with PTO
 Provision, Less Retarder, Includes Park Pawl, with 19,500-lb GVW and 37,500-lb GCW Max, On/
 Off Highway
AXLE, FRONT DRIVING: {Dana Spicer 60-256} Single Reduction, 7,500-lb Capacity, with Hub Piloted Wheel Mounting
AXLE, REAR, SINGLE: {Dana Spicer S16-130} Single Reduction, 15,000-lb Capacity, 190 Wheel Ends Gear Ratio: 4.30
CAB: Conventional
TIRE, FRONT: (2) 225/70R19.5 Load Range G HYBRID HS3 (CONTINENTAL), 649 rev/mile, 87 MPH, All-
 Position
TIRE, REAR: (4) 225/70R19.5 Load Range G HYBRID HS3 (CONTINENTAL), 649 rev/mile, 87 MPH, All-
 Position
SUSPENSION, RR, SPRING, SINGLE: Vari-Rate; 13,500-lb Capacity
PAINT: Cab schematic 100CX
 Location 1: 9219, Winter White (Std)
 Chassis schematic N/A

<u>Code</u>	<u>Description</u>	<u>F/R Wt</u> (lbs)	<u>Tot Wt</u> (lbs)
CV51500	Base Chassis, Model CV515 SFA with 165.00 Wheelbase, 83.80 CA, and 63.00 Axle to Frame.	4645/2960	7605
1AMM	SKID PLATE Steel, Frame Mounted, Protects the Transfer Case from the Ground	47/17	64
1ANB	AXLE CONFIGURATION {Navistar} 4x4	0/0	0
1CGH	FRAME RAILS High Strength Low Alloy Steel (50,000 PSI Yield), Straight Top Flange with Contoured Bottom, Height Transitions from 7.375" (187.325mm) to 9.125" (231.775mm) to 7.625" (193.675mm); Width: 3.079" (78.21mm); Thickness: 0.3125" (7.94mm); 383.3" (9735.8mm) Max OAL	28/78	106
1LEG	LICENSE PLATE HOLDER Includes Upper & Lower Mounting Plate Hardware, Mounted in Existing Holes in Front Bumper	2/0	2
1LNZ	BUMPER, FRONT Full Width, Aerodynamic, Steel, Chrome Plated	0/0	0
1WEB	WHEELBASE RANGE 128" (325cm) Through and Including 183" (465cm)	0/0	0
2EWA	AXLE, FRONT DRIVING {Dana Spicer 60-256} Single Reduction, 7,500-lb Capacity, with Hub Piloted Wheel Mounting	284/0	284
2WLC	AXLE, FRONT DRIVING, LUBE {EmGard FE-75W-90} Synthetic Oil; 1 thru 29.99 Pints	0/0	0
3AJN	SUSPENSION, FRONT, SPRING Parabolic, Taper Leaf; 7,500-lb Capacity; with Shock Absorbers	8/0	8
3WAP	STABILIZER BAR, FRONT	50/0	50
4198	BRAKE SYSTEM, HYDRAULIC {Bosch} Split System, with Four Channel ABS, Traction Control, Hydromax Brake Booster and Master Cylinder	0/0	0
4EVD	DUST SHIELDS, FRONT BRAKE for Hydraulic Brakes	0/0	0
4EVE	DUST SHIELDS, REAR BRAKE for Hydraulic Brakes	0/0	0
4GBJ	BRAKE, PARKING {Bosch} DSSA Type, 12" x 3"; for Hydraulic Brake Chassis; Foot Operated in Cab; Differential Mounted	0/0	0
4JNR	BRAKES, FRONT, HYDRAULIC DISC Quadraulic; Four 64mm Diameter Pistons	0/0	0
4NNM	BRAKES, REAR, HYDRAULIC DISC Quadraulic; Four 64mm Diameter Pistons	0/0	0
5708	STEERING COLUMN Tilting	0/0	0
5CBG	STEERING WHEEL 4-Spoke; 15" Dia., Black	0/0	0
5PSS	STEERING GEAR {Bosch S2 8014 Plus} Power	0/0	0
7BLL	EXHAUST SYSTEM Horizontal, Frame Mounted Right Side, Under Rail, for Single Exhaust	0/0	0
7SDS	ENGINE EXHAUST BRAKE for International 6.6 Engine	0/0	0
8002	ELECTRICAL SYSTEM 12-Volt for CV Model	0/0	0

Includes

: HAZARD SWITCH Push On/Push Off, Located on Top of Steering Column Cover
 : HEADLIGHT DIMMER SWITCH Integral with Turn Signal Lever
 : PARKING LIGHT PARKING LIGHT Integral with Front Turn Signal and Rear Tail Light
 : TURN SIGNAL SWITCH Self-Cancelling with Lane Change Feature
 : WINDSHIELD WIPER SWITCH 2-Speed with Wash and Intermittent Feature, Integral with Turn Signal Lever

<u>Code</u>	<u>Description</u>	<u>F/R Wt</u> (lbs)	<u>Tot Wt</u> (lbs)
8GJB	ALTERNATOR (Denso SC6) Brush Type, 12 Volt 220 Amp. Capacity	4/0	4
8HXU	BODY BUILDER WIRING Rear of Frame; Includes One Sealed Connector for Separate Ground/Backup/ Left and Right Hand Turn, Left and Right Hand Tail/Stop/ Accessory Power and Combined for Left and Right Hand Stop/Turn	0/3	3
8MWA	BATTERY SYSTEM (VARTA) (2) 12-Volt 1300CCA Total	0/0	0
8RNM	RADIO AM/FM Stereo/Clock/Bluetooth, Seek/Scan, with 7" Touch Panel Display	1/0	1
8RNU	SPEAKERS (6)	2/0	2
8RNY	CAMERA SYSTEM, REAR VIEW Includes Camera, Mounting, Wiring and Interface to the Monitor, for the Back-up Camera System	1/1	2
8TUK	STOP, TURN, TAIL & B/U LIGHTS Multi-Function, Sealed, LED Lights for Stop, Turn and Tail, Incandescent Backup Lights, with Rear Reflex Reflector, Includes LED License Plate Light	0/1	1
8VAY	HORN, ELECTRIC Disc Style	0/0	0
8VVB	BATTERY BOX Steel with Plastic Cover, 2 Batteries Parallel to Rail, 28" Wide, Mounted Left Side Under Cab	0/0	0
8WBW	JUMP START STUD Remote Mounted	3/0	3
8XJN	HEADLIGHTS (2) Halogen; Composite Aero Design with Black Trim Bezel, Includes Daytime Running Lights	0/0	0
8XJP	SWITCH, AUXILIARY 1 to 4 Latching Switches with 30-Amp Fuses	0/0	0
8XJV	CLEARANCE/MARKER LIGHTS (5) Amber LED Lights, Flush Mounted on Cab	0/0	0
8XJW	STARTING MOTOR 12 Volt	0/0	0
9AAB	LOGOS EXTERIOR Model Badges	0/0	0
9HBZ	GRILLE Molded, Dark Gray Color	0/0	0
9HCU	RADIATOR STONE GUARD Mounted to Front Bumper	4/0	4
9WAY	FRONT END Tilting, Fiberglass, with Three Piece Construction	0/0	0
9WBS	FENDER EXTENSIONS Molded in Black	0/0	0
10060	PAINT SCHEMATIC, PT-1 Single Color, Design 100	0/0	0
10761	PAINT TYPE Base Coat/Clear Coat, 1-2 Tone	0/0	0
10XAW	GVWR WEIGHT CLASSIFICATION Class 5 (16,001-19,500 lbs)	0/0	0
12GAD	ENGINE, DIESEL (International 6.6) EPA 2017, 350HP @ 2700 RPM, 700 lb-ft Torque @ 1600 RPM, 2900 RPM Governed Speed, 350 Peak HP (Max)	0/0	0
	<u>Includes</u> : OIL FILTER, ENGINE Spin-On Type		
12TTM	FAN DRIVE Viscous Screw On Type, Rear Tether, Electronically Controlled	0/0	0
12VGC	AIR CLEANER Single Element, with Water Separator	0/0	0
12VGS	FEDERAL EMISSIONS (International 6.6) EPA, OBD and GHG Certified for Calendar Year 2018	0/0	0
12WGG	THROTTLE, HAND CONTROL Engine Speed Control for PTO; Electronic Controlled, On/Off Switch Mounted on Dash, with Steering Wheel Button Control	0/0	0

<u>Code</u>	<u>Description</u>	<u>F/R Wt</u> (lbs)	<u>Tot Wt</u> (lbs)
12WZJ	EMISSION COMPLIANCE Low NOx Idle Engine, Complies with California Clean Air Regulations; Includes "Certified Clean Idle" Decal located on Driver Door	0/0	0
12XBL	BLOCK HEATER, ENGINE 120 Volt/800 Watt	0/0	0
12XZD	RADIATOR Aluminum; 3-Row, Down Flow, Front to Back System, 730 SqIn Louvered, with 578 SqIn Charge Air Cooler, with In-Tank Transmission Cooler	0/0	0
13AXC	TRANSMISSION, AUTOMATIC (Allison 1750 RDS) 5th Generation Controls, Close Ratio, 6-Speed with Overdrive, with PTO Provision, Less Retarder, Includes Park Pawl, with 19,500-lb GVW and 37,500-lb GCW Max, On/Off Highway	0/0	0
13TLP	TRANSFER CASE (Meritor 3203) Two-Speed, Gear Drive, 3,000 lb-ft Capacity with Electric Shifting Controls, without PTO Provision	172/39	211
13WDB	TRANSFER CASE LUBE (EmGard 50W) Synthetic; 1 thru 14.99 Pints	0/0	0
13XAK	PTO LOCATION Right Side of Transmission	0/0	0
14888	DIFFERENTIAL, LOCKING (Dana Spicer Truetrac) Torque Proportioning Limited Slip	0/12	12
14AWG	AXLE, REAR, SINGLE (Dana Spicer S16-130) Single Reduction, 15,000-lb Capacity, 190 Wheel Ends . Gear Ratio: 4.30	0/12	12
14SAC	SUSPENSION, RR, SPRING, SINGLE Vari-Rate; 13,500-lb Capacity	0/60	60
15SZN	FUEL TANK Top Draw, Plastic, Rectangular, 17" Tank Depth, 40 US Gal (151L), Includes Auxiliary Draw Port and Fuel Filler Assembly, Mounted Between Frame Rails and Behind Rear Axle	0/0	0
15WDZ	DEF TANK 6.75 U.S. Gal. 17.9L Capacity, Frame Mounted Outside Right Rail, Under Cab	0/0	0
16030	CAB Conventional	0/0	0
	<u>Includes</u> : DOME LIGHT, CAB with OFF/DOOR/ON Settings; Located in Overhead Console : READING LIGHT, CAB Located in Overhead Console : STEP (2) One Per Door : STORAGE POCKET, DOOR (2) Full Length, Driver and Passenger Door		
16ACA	MIRROR, INSIDE REAR VIEW Omit	0/0	0
16BBA	GLASS, ALL WINDOWS Solar Absorbing, Tint	0/0	0
16CEM	COLOR, INTERIOR Dark Ash	0/0	0
16HCT	GAUGE CLUSTER English with Metric Speedometer, Includes English Odometer; Includes 3.5" Monochromatic Display with Personalization, Warning Messages and Vehicle Information	0/0	0
16KVS	SEAT, DRIVER High Back with Integral Headrest, with Recline, Vinyl, Fixed Lumbar	0/0	0
16LVR	SEAT, TWO-MAN PASSENGER High Back with Integral Headrest in Outboard Position, Center Fold-Down Armrest with Storage, Vinyl, with Recline	0/0	0
16SPS	MIRRORS (2) Wide Load, Manual Folding and Extending, Black Head, Mounting Bracket and Arms, Heated Head, Turn Signal Indicator Located in Mirror, Power Operated	0/0	0
16VKB	CAB INTERIOR TRIM Classic, for Day Cab	0/0	0
	<u>Includes</u>		

<u>Code</u>	<u>Description</u>	<u>F/R Wt</u> (lbs)	<u>Tot Wt</u> (lbs)
	: SUN VISOR (2) Vinyl		
16WAK	WINDOW, POWER (2) in Left and Right Doors	0/0	0
16XAL	KEYLESS ENTRY SYSTEM REMOTE with Panic Alarm and Horn Beep Lock Confirmation, Includes Two Key Fob Transmitters	0/0	0
16XCP	AIR BAG, DRIVER SIDE	0/0	0
16XCR	AIR BAG, PASSENGER SIDE	0/0	0
16XZA	AIR CONDITIONER and Heater, Single Zone	0/0	0
27DTX	WHEELS, FRONT (Accuride 50180) DISC; 19.5x6.75 Rims, Powder Coat Steel, 4-Hand Hole, 8-Stud, 275mm BC, Hub-Piloted, Flanged Nut, with Steel Hubs	0/0	0
28DTX	WHEELS, REAR (Accuride 50180) DUAL DISC; 19.5x6.75 Rims, Powder Coat Steel, 4-Hand Hole, 8-Stud, 275mm BC, Hub-Piloted, Flanged Nut, with Steel Hubs	0/0	0
7779445433	(2) TIRE, FRONT 225/70R19.5 Load Range G HYBRID HS3 (CONTINENTAL), 649 rev/mile, 87 MPH, All-Position	0/0	0
7779445433	(4) TIRE, REAR 225/70R19.5 Load Range G HYBRID HS3 (CONTINENTAL), 649 rev/mile, 87 MPH, All-Position	0/0	0
Services Section:			
40131	WARRANTY Standard for CV515, Effective with Vehicles Built December 3, 2018 or Later, CTS-3000A	0/0	0
Total Component Weight:		5251/3183	8434

The weight calculations included in this proposal are an estimate of future vehicle weight. The actual weight as manufactured may be different from the estimated weight. Navistar, Inc. shall not be liable for any consequences resulting from any differences between the estimated weight of a vehicle and the actual weight.

INTERNATIONAL*

Body Allied/Equipment
2020 CV515 SFA (CV515)

August 24, 2018

Description

(US DOLLAR)

Price

No body allied/equipment chosen.

Total Body Allied/Equipment: \$0.00