



Torrence's Farm Implements

190 East Hwy 86
Heber, Ca. 92249
760-352-5355 Phone

Quotation

November 21, 2019

To: City Of Imperial
Attn: Jisella Solorazano

New Holland High Flow Cold Planer Attachment	\$24,000.00
Model HP 24 24" Cold Planer attachment for Skid Steer Loader 31-44 GPM Hi Flow Hydraulic Flow	
Universal Electronic Control Kit for units without (Multi Function Handle) Required if unit does not have compatible Multi Function handle	\$1,100.00
Water Kit 40 Gallon Rear Mount	\$2,500.00
Water Nozzle and Hose kit for Cold Planer Attachment	\$300.00
Subtotal	\$27,900.00
Sales Tax @ 7.75%	\$2,162.25
Total	\$30,062.25

Prices include inbound freight and delivery to City Of Imperial
Prices are valid for 30 days from date of Quote.

(Optional 30 Gallon roof mounted 30 gallon water kit available in lieu of 40 gallon for \$1,500.00 plus tax)

Quote Prepared by Matthew Hester 760-455-9780 matt.hester@torrences.net

Serving The Agricultural, Light Industrial and Turf Industries Since 1939
www.torrences.net



COLD PLANER, HIGH FLOW

SKID STEER LOADERS/COMPACT TRACK LOADERS

For specified skid-steer loaders equipped with optional high flow, auxiliary boom hydraulics. Includes drum, hydraulic depth, tilt, hydraulic sideshift, hoses, fittings and quick couplers.

	PART NUMBER	WEIGHT LB
Cold Planer HP16* - 16" with hydr controls (26-30 gpm)	84539370	2150
Cold Planer HP18 - 18" with hydr. controls (26-30 gpm)	84539371	2200
Cold Planer HP16* - 16" with hydr controls (31-44 gpm)	84539372	2150
Cold planer HP18 - 18" with hydr. controls (31-44 gpm)	84539373	2200
Cold planer HP24 - 24" with hydr. controls (31-44 gpm)	84539374	2400
Cold planer HP30 - 30" with hydr. controls (31-44 gpm)	84539375	2600
Cold planer HP40 - 40" with hydr. controls (31-44 gpm)	84539376	3100
EHF Cold planer HP24 - 24" with hydr. controls (31-44 gpm)	84523773	2400
EHF Cold planer HP30 - 30" with hydr. controls (31-44 gpm)	84523774	2600
EHF Cold planer HP40 - 40" with hydr. controls (31-44 gpm)	84523775	3100

*16" drum installed in 18" housing.

ADDITIONAL COMPONENTS (Order as Needed)

2.5" Slot Cutting Drum for HP16, HP18, HP24, HP30, HP40	87045459	120
4" Slot Cutting Drum for HP16, HP18, HP24, HP30, HP40	87045460	135
6" Slot Cutting Drum for HP16, HP18, HP24, HP30, HP40	87045461	150
Universal electric control kit for units without MFH (not for EHF planers)	47403651	4
Water nozzle kit, includes 3 spray nozzles, tubing and fitting to reach coupler on loader boom fo SP12 - HP30	87045462	10
Water nozzle kit, includes 3 spray nozzles, tubing and fitting to reach loader boom on HP40	87326406	12

Pressurized Water Kit available. See "Water Kit" page for details

MODEL COMPATIBILITY	L213	L215	L216	L218	L220	L221	L223	L225	L228	L230	L234	C227	C232	C237	C234	C238	C245	REQ'D EQUIPMENT							
	L150	L160	L170	L175				L180	L185	L190		C175	C185	C190				STD FLOW	HIGH FLOW	EHF	CASE DRAIN	MFH	DEMO DOOR	2ND AUX	
16" COLD PLANER (26-30)				•								•							R		R	R			
18" COLD PLANER (26-30)				•								•							R		R	R			
16" COLD PLANER (31-44)						•		•	•	•			•	•	•	•	•		R		R	R			
18" COLD PLANER (31-44)							•	•	•	•			•	•	•	•	•		R		R	R			
24" COLD PLANER (31-44)							•	•	•	•			•	•	•	•	•		R		R	R			
30" COLD PLANER (31-44)								•	•	•			•	•	•	•	•		R		R	R			
40" COLD PLANER (31-44)									•	•			•	•	•	•	•		R		R	R			
EHF 24" COLD PLANER (31-44)										•					•	•	•	R		R	R	R			
EHF 30" COLD PLANER (31-44)										•					•	•	•	R		R	R	R			
EHF 40" COLD PLANER (31-44)										•					•	•	•	R		R	R	R			

Cold Planers, High Flow (Continued next page)

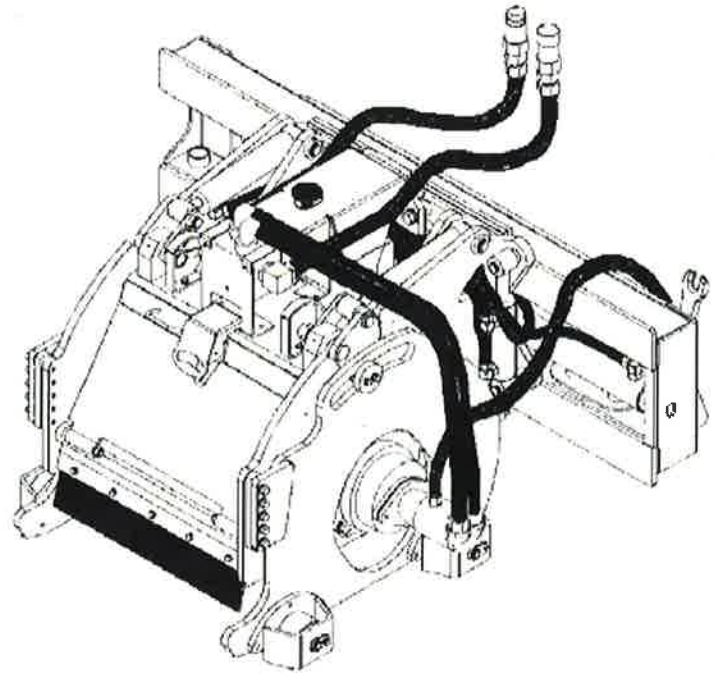


COLD PLANER, HIGH FLOW

SKID STEER LOADERS/COMPACT TRACK LOADERS

FEATURES

- Independent pivoting head for better contour tracking
- Removable wheels for planing next to curbs and obstructions
- Hinged cover for pick maintenance access
- Pick maintenance tool included
- Solid steel wheel construction (hardened) with greasable manifold pins and secluded zerks
- Plated and powder-coated surfaces offer resistance to harsh environments
- High rear spoil clearance to prevent recirculation of material
- T1 steel construction in high wear areas
- $\pm 8^\circ$ tilt capability
- 0-5" cutting depth, 0-19" sideshift center to right
- Convenient, fully electro-hydraulic, in-cab control for depth, tilt, and sideshift
- Depth and tilt position indicators
- Protective shields for hydraulic and electrical components
- Independent self-leveling depth adjustment shoe allows for precise lapping cuts and taper cuts (i.e. multiple pass and approaches to RR crossings)
- Efficient piston drive motor
- Planetary drive delivers high torque
- Universal, general purpose picks standard



APPLICATIONS

- For heavy duty planing jobs, including milling transition and repair areas, frost heaves and expansion joints

REQUIREMENTS FOR OPERATION

- High flow auxiliary hydraulics (EHF for specified units)
- Multi function control kit or universal electric control kit
- Case drain

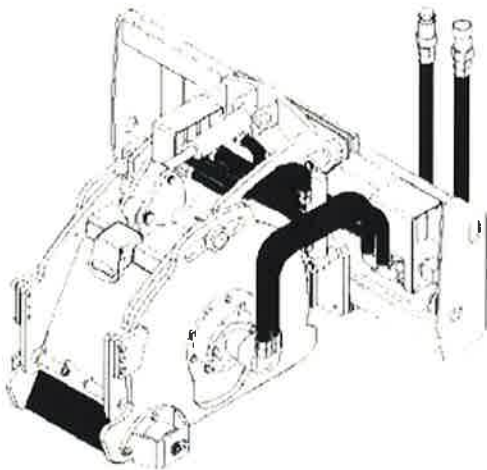


COLD PLANER – SPECIFICATIONS

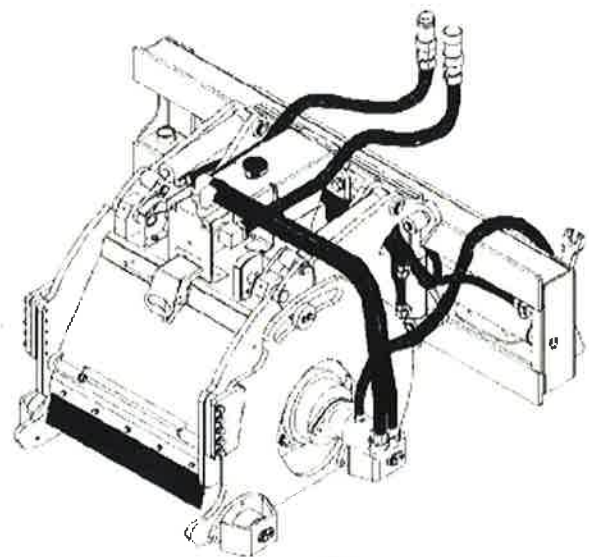
SKID STEER LOADERS/COMPACT TRACK LOADERS

SPECIFICATIONS						
MODEL	SP12	HP16*	HP18	HP24	HP30	HP 40
Operating Weight - lb. (kg)	1400 (635)	2100 (952)	2150 (975)	2350 (1066)	2550 (1157)	3100 (1338)
Cutting Depth - in. (mm)	0-5 (0-127)	0-5 (0-127)	0-5 (0-127)	0-5 (0-127)	0-5 (0-127)	0-5 (0-127)
Cutting Width - in. (mm)	12 (305)	16 (450)	18 (450)	24 (600)	30 (762)	40 (1016)
Drum Diameter - in. (mm)	19 (482)	22 (559)	22 (559)	22 (559)	22 (559)	22 (559)
Tilt	± 11°	± 8°	± 8°	± 8°	± 8°	± 8°
Sideshift - in. (mm)	0-19 (0-483) center to right	3-22 (76-560) center to right	3-22 (76-560) center to right	3-22 (76-560) center to right	3-22 (76-560) center to right	3-22 (76-560) center to right
Hydraulic requirement-gpm (l/m)	12- 22 (45-83)	26-30 or 31-44 (98-115 or 116-166)	26-30 or 31-44 (98-115 or 116-166)	31-44 (116-166)	31-44 (116-166)	31-44 (116-166)
Hydraulic requirement - psi (bar)	2500-3000 (172-206)	2500-3000 (172-206)	2500-3500 (172-241)	2500-3500 (172-241)	2500-3500 (172-241)	2500-3500 (172-241)
EHF Hydraulic requirement -psi (bar)				4000 (275)	4000 (275)	4000 (275)
Wheels/shoes	Both with independent left/right control	Both with independent left/right control	Both with independent left/right control	Both with independent left/right control	Both with independent left/right control	Both with independent left/right control
Drive	Planetary	Planetary	Planetary	Planetary	Planetary	Planetary
Controls	Manual - SP12 Hyd. - SP12H hydraulic optional	Full hydraulic with in-cab controls	Full hydraulic with in-cab controls	Full hydraulic with in-cab controls	Full hydraulic with in-cab controls	Full hydraulic with in-cab controls
No. of Carbide Picks	37	43	45	57	69	89

*16" drum installed in 18" housing.



SP12



HP24



WATER KIT

SKID STEER LOADERS/COMPACT TRACK LOADERS

Water kit may be used with pick-up sweepers, angle brooms, cold planers, rock wheels, vibratory rollers and other attachments where dust control is important.

REQUIRES TUBING AND NOZZLE KIT FOR INDIVIDUAL ATTACHMENTS	PART NUMBER	WEIGHT LB
Water Kit, Rear Mount for L/C100 Series	86619370	300
Water Kit, Roof Mount for L/C200 Series	84399981	50

COMPLETING PACKAGES (Order as Needed)

Mounting Adapter Kit - Required for LS140, LS150, L140, L150 only	86619371	40
Water Nozzle Kit for brooms, other attachments - includes 4 nozzles, tubing, mounting brackets, hose and quick disconnect coupling	86619372	15
Water Nozzle Kit - includes 3 spray nozzles, tubing, and fitting to reach coupler on loader boom for SP12 - HP30 cold planers.	87045462	10
Water Nozzle Kit - includes 4 spray nozzles, tubing, and fitting to reach coupler on loader boom for HP40 cold planers.	87326406	12

MODEL COMPATIBILITY													REQ'D EQUIP			
	L150	L160 L170	L175	L180 L185	L190	C175	C185 C190	L213 L215 L216	L218 L220 L221	L223 L225	L228 L230 L234	C227	C232 C234 C237	C238 C245	STD FLOW	MFH
Water Kit, Rear Mount for L/C100 Series - 86619370	•	•	•	•	•	•	•									○
Water Kit, Roof Mount for L/C200 Series - 84399981								•	•	•	•	•	•			○

FEATURES

REAR MOUNT

- 40 gallon capacity
- Rear-mounted, dual tanks
- Includes pump, tubing to end of loader boom, wiring harness, control box
- Water tanks mount to rear counterweight brackets on loader – order from CNH Industrial Parts & Service if required

ROOF MOUNT

- 30 gallon capacity
- Roof mounted, low-profile tank
- Includes mounting brackets, pump, tubing to end of loader boom, wiring harness, control box

APPLICATIONS

- Pick-up brooms, angle brooms, cold planers, rock saws, vibratory rollers and other attachments requiring dust control

REQUIREMENTS FOR OPERATION

- Nozzle kit for specific applications

